

LE44 Pt

Conductive conductivity sensor

- Temperature probe integrated
- Two versions: 4-pole angular plug (Hirschmann) with 3/4" male thread or 6 m cable with 1/2" male thread
- Little dirt-prone and easy to clean



LE44 Pt



LE44 Pt with cable

Applications



Cooling And Boiler
Feed Water



Drinking Water /
Beverages



Process Water

Description

2-electrode conductivity sensor for electrolytic conductivity with integrated temperature probe Pt100. The body material is PVDF, the electrodes are made of stainless steel (concentric electrodes, material number 1.4571). The sensor is available as flow version with male thread 3/4" and 4-pole angular plug connector (Hirschmann) for electrical connection or as immersion version with 6m fixed cable and 1/2" male thread.



LE44 Pt

Conductive conductivity sensor

Technical data

Measuring parameter

Conductivity (conductive)	0.000.. 2.000 $\mu\text{S/cm}$ $c= 0.05 /\text{cm}$
	0.00.. 20.00 $\mu\text{S/cm}$ $c= 0.05 /\text{cm}$
	0.0.. 200.0 $\mu\text{S/cm}$ $c= 0.05 /\text{cm}$
	0.000.. 2.000 mS/cm $c= 0.20 /\text{cm}$
	0.00.. 20.00 mS/cm $c= 1.00 /\text{cm}$

	Plug connection	Cable connection
Temperature	0.. 135 °C	0.. 90 °C

Mechanical construction

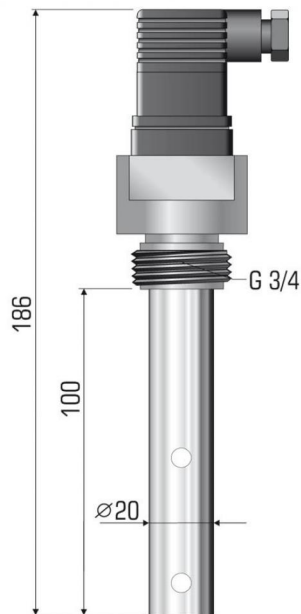
Shaft material	PVDF - plug version PP - cable version
Electrode material	Stainless steel 1.4571
Mechanical connection	3/4" male thread - plug version 1/2" male thread - cable version
Electrical connection	4-pole angular plug (Hirschmann) 6 m connected cable
Temperature sensor	Pt 100



LE44 Pt

Conductive conductivity sensor

Mechanical drawing



Storage version

Article number	Name	Description
26125252K	LE44 Pt, c=0,05	Conductivity sensor (0.. 2; 0.. 20; 0.. 200 µS/cm)
26125253K	LE44 Pt, c=0,20	Conductivity sensor (0.. 2 mS/cm)
26125254K	LE44 Pt, c=1,00	Conductivity sensor (0.. 20 mS/cm)
26125257K	LE44 Pt 4SCR, c=0,05	Conductivity sensor (0.. 2; 0.. 20; 0.. 200 µS/cm) with 6m fixed cable
26125255K	LE44 Pt 4SCR, c=0,20	Conductivity sensor (0.. 2 mS/cm) with 6m fixed cable
26125255K	LE44 Pt 4SCR, c=1,00	Conductivity sensor (0.. 20 mS/cm) with 6m fixed cable

